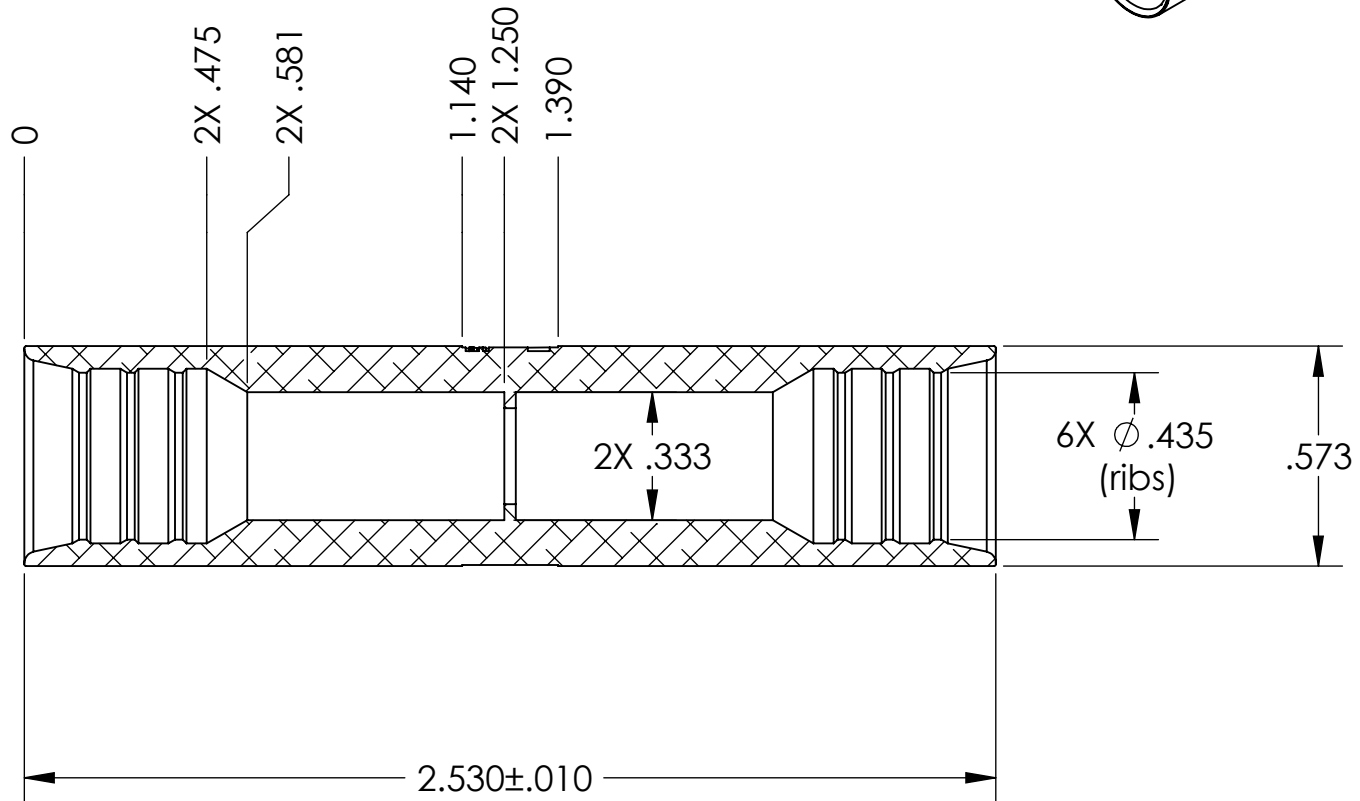
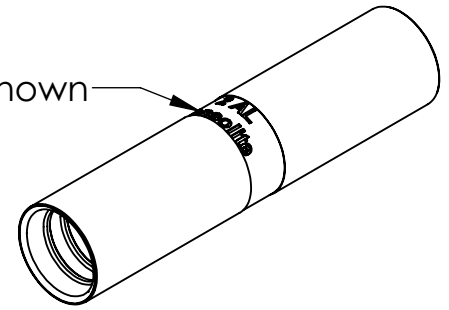
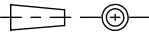


REQUIREMENTS:
UNLESS OTHERWISE SPECIFIED

1. Nickel plating must not show on outside diameter.
2. Tin plating may enter Inside Diameters up to 1/2 inch.
3. Dimensions are before termination.

Mark "2 AL
Tensolite"
Approx. where shown



| | | | | | | | | | | | | | |
|---------------|--|-------------|--|-----|------------|------------|------|--|-------------------------|-------------------------|--|---|---------------|
| MAT'L CODE | Electrical Grade Aluminum per ASTM B317 | FIN CODE | Finish per Carlisle Spec FIN-301 (Exterior surfaces Matte Tin Interior Surfaces Nickel) See Notes: 1 and 2 above. | REV | E.C.O. NO. | DATE | APPR | DIMENSIONS IN INCHES THIRD ANGLE PROJECTION  TOLERANCES UNLESS OTHERWISE SPECIFIED | | | DESIGN, CONFIGURATION AND MECHANICAL FEATURES REVEALED ON THIS DRAWING ARE THE SOLE PROPERTY CARLISLE COMPANY AND ARE NOT TO BE DISCLOSED TO OTHER PARTIES WITHOUT EXPRESS CONSENT AND APPROVAL OF CARLISLE. | DESCRIPTION Splice Connector 2 gage | PG. 1 OF 1 |
| | | | | | | | | ANGLES ±2° .XX DECIMALS ±.01 .XXX DECIMALS ±.005 .XXXX DECIMALS ±.0005 | DRAW WLA 05/19/10 | ENG. WLA 05/19/10 | | | |
| | | | | P2 | none | 11/19/2014 | BA | CARLISLE Interconnect Technologies 100 Tensolite Drive St Augustine, FL 32092 | | | | | |
| | | | | P1 | ORIGINATED | 5/20/10 | BA | | | | | | |